

FUNCTION

The Icma draught regulating valve modulates the air flow entering the boiler and controls the flame to keep the water at the desired temperature. It also allows to a significant fuel saving.

PRODUCTS

Art. 147

90147AE06 3/4 X 3/4

TECHNICAL FEATURES

Metal body, to ensure a long service life

Wax thermostatic element

PPO handle resistant to high temperatures

Range of regulation 30°-100°. Chain length 1200mm.

Hexagonal lever at 120° size 115x145mm,

Chain stroke 10mm/10°C, strength 0.850 Kg

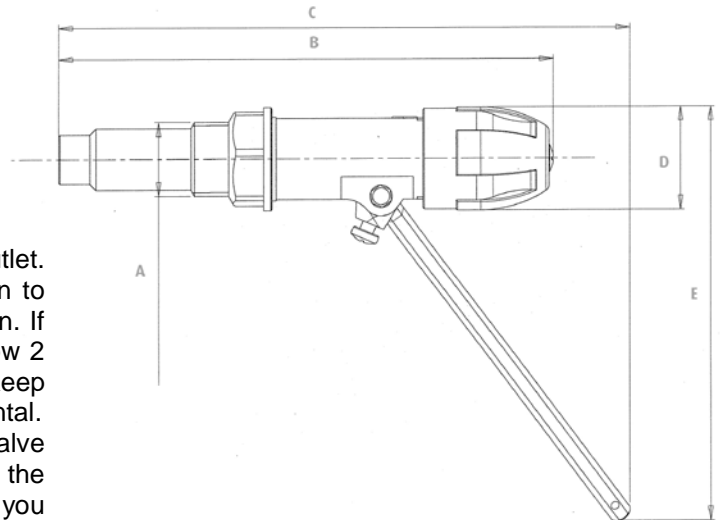
Connection thread to the boiler 3/4" conic.

The draught regulator can be installed horizontally and vertically.



DIMENSIONS

CODE	A	B	C	D	E
90147AE06	G3/4"	179	206	Ø 37	150



ASSEMBLING AND SETTING INSTRUCTIONS:

1- Screw the 3/4" fitting (1) in the appointed boiler outlet. Tight the valve in the outlet, fix and keep it in position to allow the lever and the chain to be in the right direction. If the valve is assembled like in picture A, keep the arrow 2 face up. If the valve is assembled like in picture B, keep the side 3, where the lever should be installed, face frontal.

2- Remove the plastic part inside the hole of the valve pivot and insert the hexagonal lever (4) in the hole of the pivot and install the chain (5) in the hole of the lever. If you disassemble the pivot, take care to assemble it again in the same position.

3- Set the handle of the draught regulating valve (6) on 60°C, block the lever with a slight inclination toward the floor, so that the chain stays in the same axis with the chain hole on the draught door of the boiler (7).

4- The draught regulating valve setting is made by adjusting the length of the chain between the lever and the boiler draught door. Set the handle of the draught regulating valve on 60°C Turn the boiler on leaving the draught door open. When the boiler reaches the temperature of 60°C allow some minutes in order to stabilize the draught valve temperature and regulate the chain to keep the draught door open 1 mm. Now, you are ready to choose the desired water temperature.

