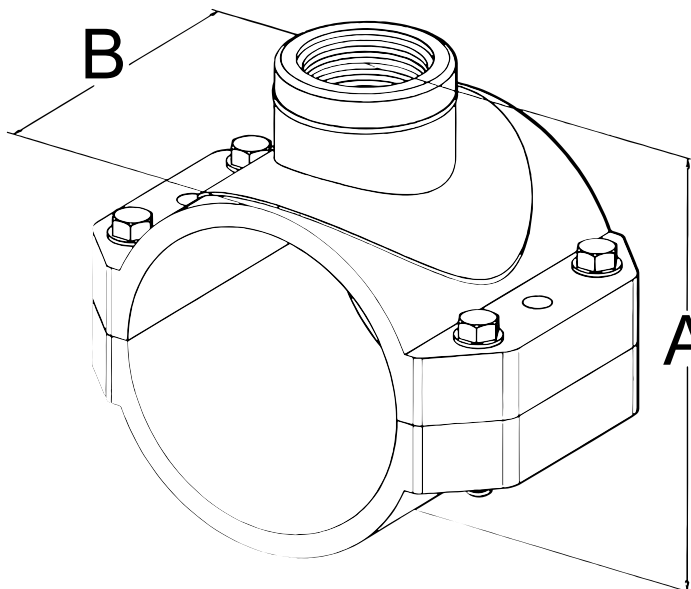


## Colarinho reforçado (4 parafusos)



Referência	Medidas	Carac.	u./caixa
053166	63-1/2"	-	35
053167	63-3/4"	-	35
053168	63-1"	-	35
053169	63-1 1/4"	-	35
053170	63-1 1/2"	-	35
053171	75-1/2"	-	20
053172	75-3/4"	-	20
053173	75-1"	-	20
053174	75-1 1/4"	-	20
053175	75-1 1/2"	-	20
053176	75-2"	-	20
053177	90-1/2"	-	15
053178	90-3/4"	-	15
053179	90-1"	-	15
053180	90-1 1/4"	-	15
053181	90-1 1/2"	-	15
053182	90-2"	-	15
053183	110-1/2"	-	6
053184	110-3/4"	-	6
053185	110-1"	-	6
053186	110-1 1/4"	-	6
053187	110-1 1/2"	-	6
053188	110-2"	-	6
053189	125-3/4"	-	6
053190	125-1"	-	6
053191	125-1 1/4"	-	6
053192	125-1 1/2"	-	6
053193	125-2"	-	6

## Dimensões



Referência	A	B	rosca/thread	Ø tubo/pipe
053166	95	80	1/2"	63
053167	97	80	3/4"	63
053168	101	80	1"	63
053169	101	80	1 1/4"	63
053170	101	80	1 1/2"	63
053171	116	93	1/2"	75
053172	118	93	3/4"	75
053173	121	93	1"	75
053174	122	93	1 1/4"	75
053175	122	93	1 1/2"	75
053176	124	93	2"	75
053177	135	100	1/2"	90
053178	135	100	3/4"	90
053179	136	100	1"	90
053180	136	100	1 1/4"	90
053181	137	100	1 1/2"	90
053182	139	100	2"	90
053183	157	114	1/2"	110
053184	157	114	3/4"	110
053185	157	114	1"	110
053186	160	114	1 1/4"	110
053187	160	114	1 1/2"	110
053188	161	114	2"	110
053189	166	108	3/4"	125
053190	163	108	1"	125
053191	167	167	1 1/4"	125
053192	167	108	1 1/2"	125
053193	167	108	2"	125

## Documentação



## Tabelas

